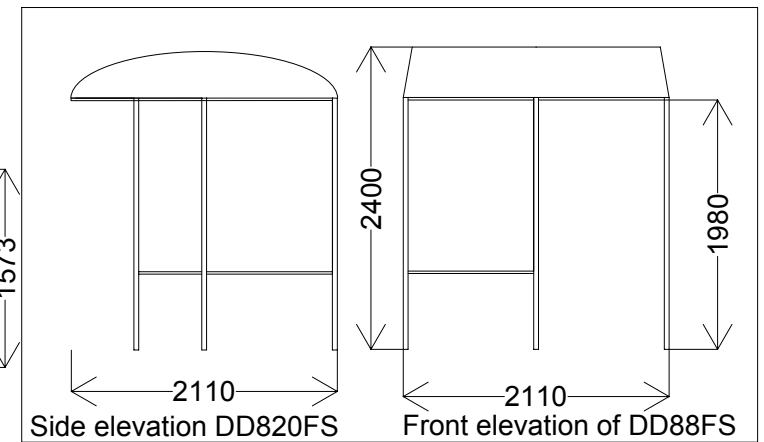
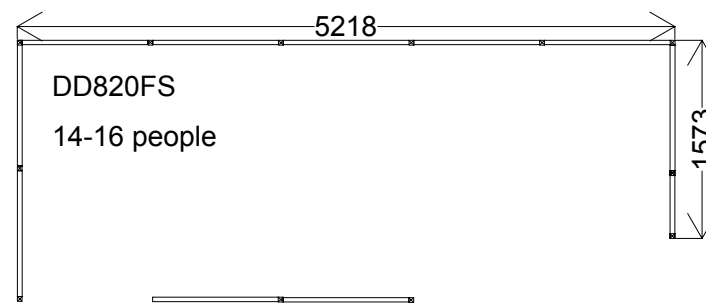
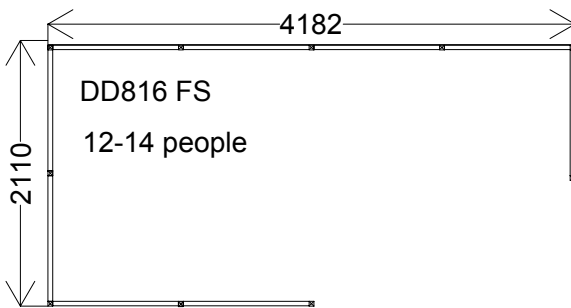
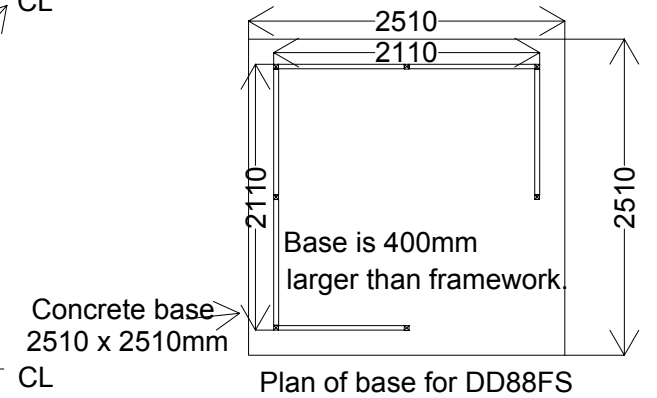
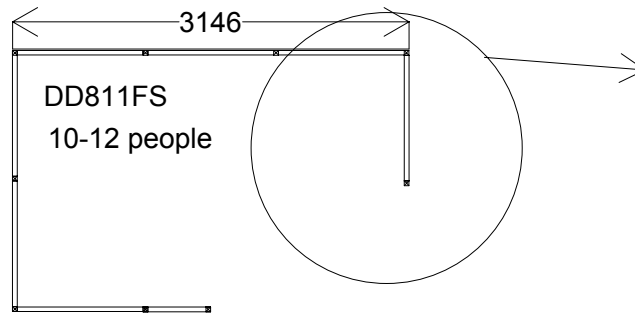
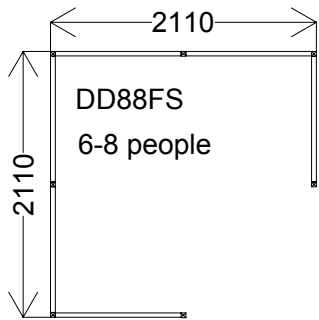
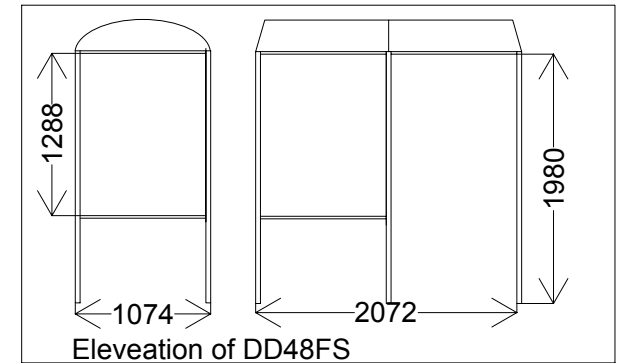
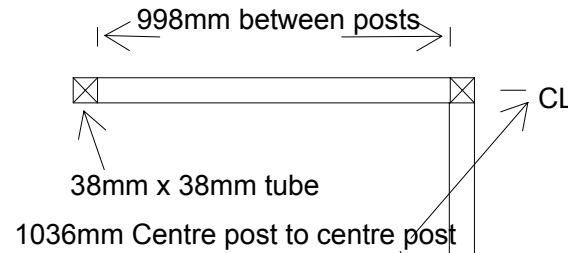
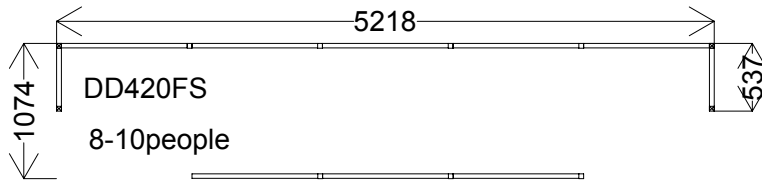
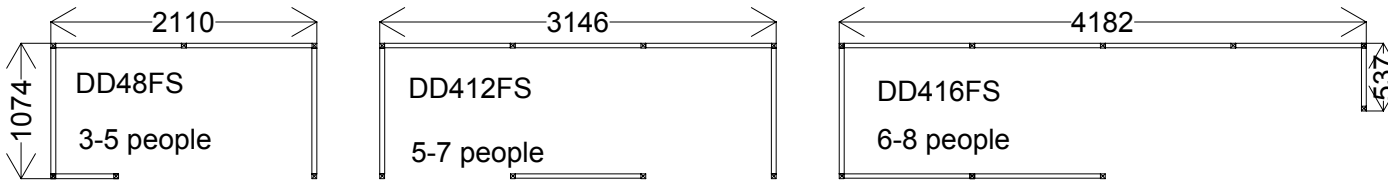


# Smokescreen 4 Sided Shelter Range

Four sided shelter with reduced height glazing to meet regulations. Not available in back to wall version. Dwg MAB/4S/22/02 rev 0 Sheet SS4



All bases must be flat and level. (See fixing instructions) Recommended base size 400mm larger than shelter frame, minimum 200mm larger.  
If fixing to existing base, please see fixing instructions. It is highly recommended that you check base before arrival. Failure to do so may lead to additional costs.